



# Dragflow Electric Pump

## EL35



**Electric Motor**  
Insulation class H



**Cable**  
1 x H07RN-F4G16 Length 20m

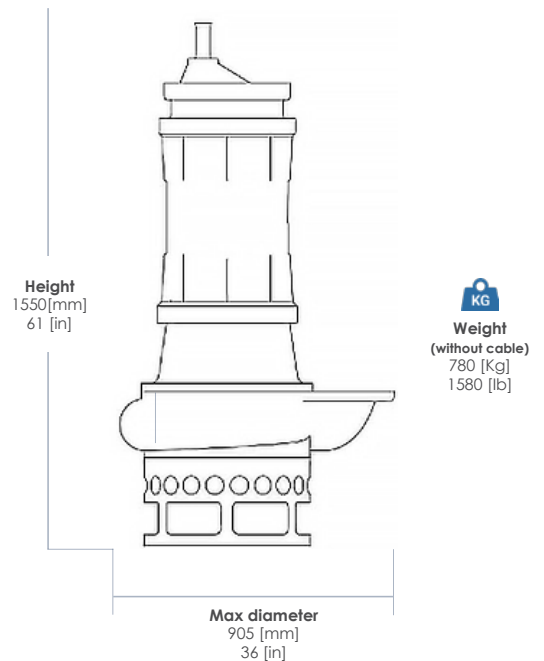


**Operating Conditions**

Max liquid temp 35°C Min Submersion depth 1240mm

### Model EL35

|                          |        |       |
|--------------------------|--------|-------|
| Brake Power              | 26 kW  | 35 hp |
| Electric Power           | 28 kW  | 38 hp |
| Frequency [Hz]           | 50     | 60    |
| Efficiency               | 53%    | 52%   |
| Number of Poles          | 6      | 6     |
| RPM                      | 970    | 1164  |
| Voltage [V]              | 400    | 460   |
| Rated Current [A]        | 55     | 47    |
| Solid Handling           | 35 mm  | 1.4"  |
| Discharge (Hose adaptor) | 100 mm | 10"   |



### Materials

| Part                  | Standard                       |
|-----------------------|--------------------------------|
| Casing                | Cast Iron EN-GJS500            |
| Body                  | Cast Iron EN-GJS500            |
| Wear Parts            | High Chrome EN-GJN-HV600 (CH6) |
| Minimum hardness [HB] | 550                            |
| Main shaft            | High tensile 39NiCrMo3         |
| PH Range              | 5-10                           |

### Seals and Lubricants

| Version       | EL35 | MG         | MS         |
|---------------|------|------------|------------|
| Motor Side    | LIPS | MECHANICAL | MECHANICAL |
| Impeller Side | LIPS | LIPS       | MECHANICAL |
| Oil type      | EP20 | ISO32      | ISO32      |

