



Dragflow Hydraulic Pump

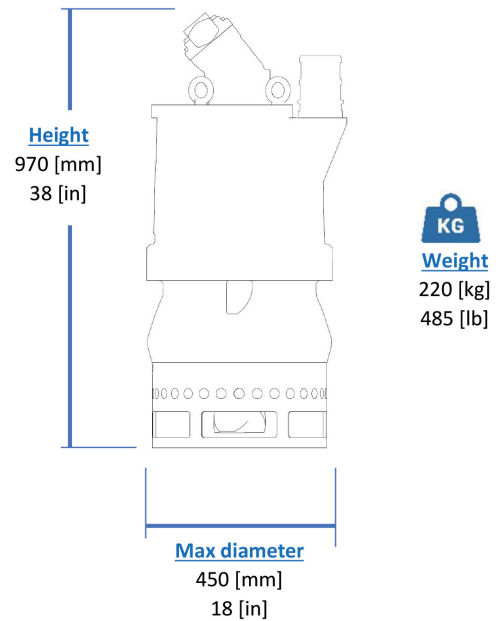
HY24

Parts
Service line Ports: SAE J518 3/4in
Case drain Port: DIN3852 M18x1,5

Operating Conditions
Max liquid temperature 40°C
Min Submersion depth 380mm

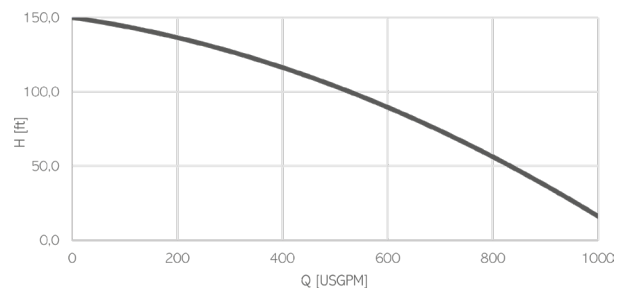
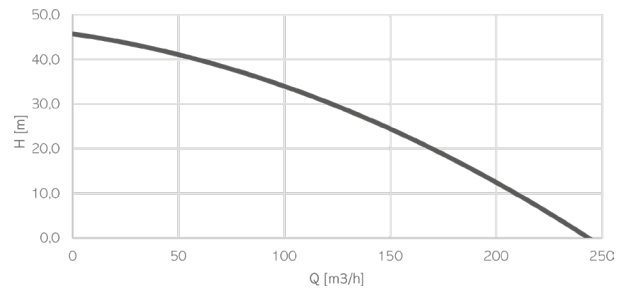
Model HY24

Brake Power [kW HP]	24 kW	32.5 HP
Efficiency [%]	44	
RPM Max	2000	
Motor Displacement [cc]	23	
Oil flow rate max [l/min]	46	
Nominal pressure [bar]	300	
Max pressure [bar]	350	
Solid Handling	25 mm	1"
Discharge (Hose adaptor)	100 mm	4"



Materials

Part	Standard
Casing	Cast Iron EN-GJS500
Body	Cast Iron EN-GJS500
Wear Parts	High chrome EN-GJN-HV600 (CH6)
Minimum hardness [HB]	550
Main shaft	High tensile 39NiCrMo3
PH Range	5-10



Seals and lubricants

Version	STANDARD
Motor Side	MECHANICAL
Impeller Side	MECHANICAL
Oil type	ISO32

